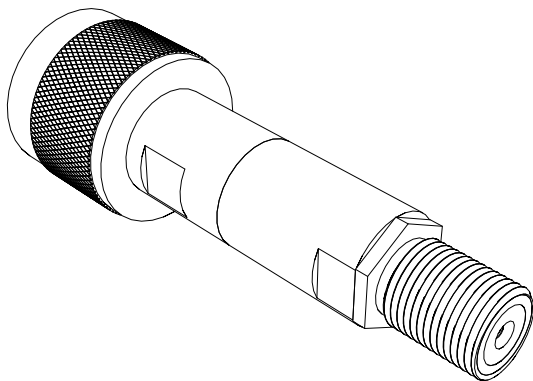
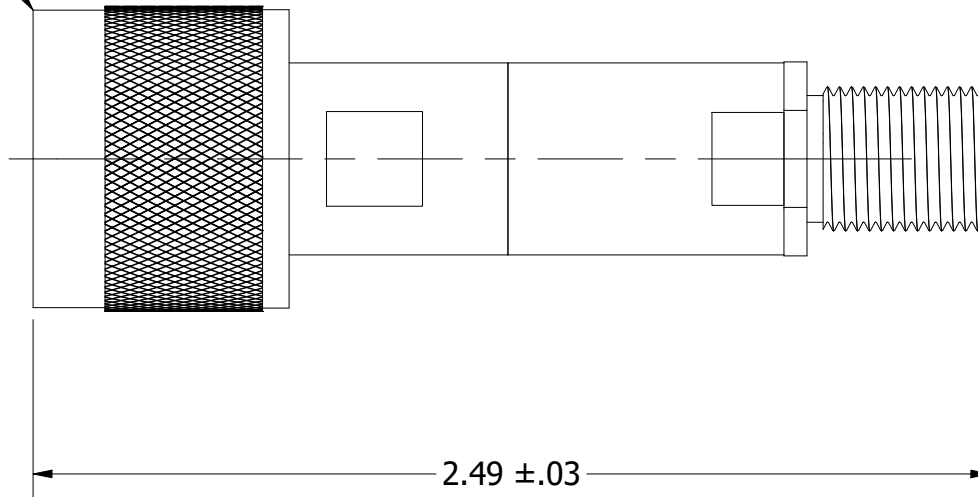


N MALE

F FEMALE



REV	ECN	DATE	BY	APPR
-	ISSUED	8-3-09	BZ	TEZ
A	24444	9-18-19	GM	TEZ



**JFW INDUSTRIES, INC.**

[www.jfwindustries.com](http://www.jfwindustries.com)

PH: 317-887-1340

MATERIAL	PROPRIETARY INFORMATION
FINISH	ALL SURFACES ARE TO BE FREE OF BURRS, PITS & SCRATCHES
MODEL	TOLERANCES .XX±.010 .XXX±.005 XX°±.5°
DESCRIPTION	DWG #
N MALE / F FEMALE	092-6243

SCALE FULL