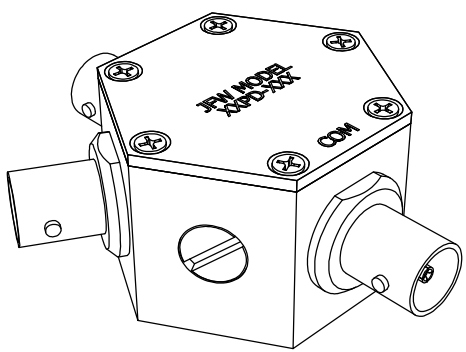
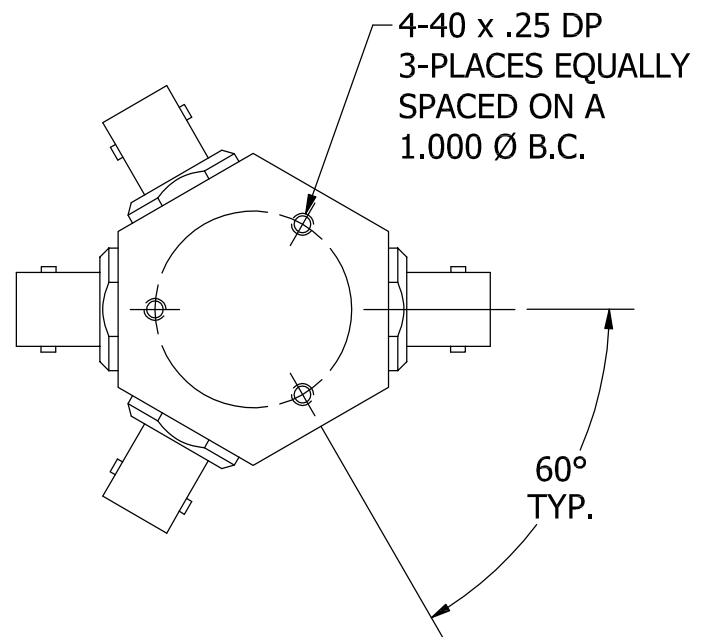
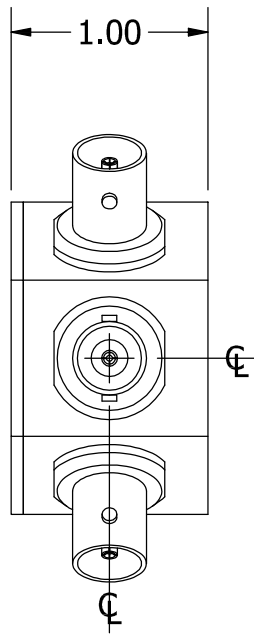


BNC FEMALE
4-PLACES



REV	ECN	DATE	BY	APPR
-	ISSUED	7-15-10	JZ	TRS
A	24444	10-1-15	JZ	TEZ



JFW INDUSTRIES, INC.

www.jfwindustries.com

PH: 317-887-1340

MATERIAL	ALUMINUM ALLOY	PROPRIETARY INFORMATION
FINISH	CHEMFILM TCP	ALL SURFACES ARE TO BE FREE OF BURRS, PITS & SCRATCHES
MODEL	XXPD-XXX	TOLERANCES .XX±.010 .XXX±.005 XX°±.5°
DESCRIPTION	3 WAY POWER DIVIDER / COMBINER (4 TOTAL PORTS)	DWG # 092-6646-03

SCALE FULL