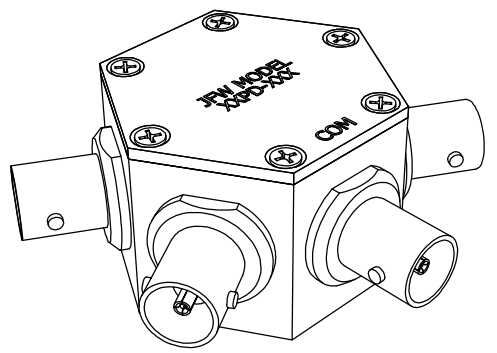
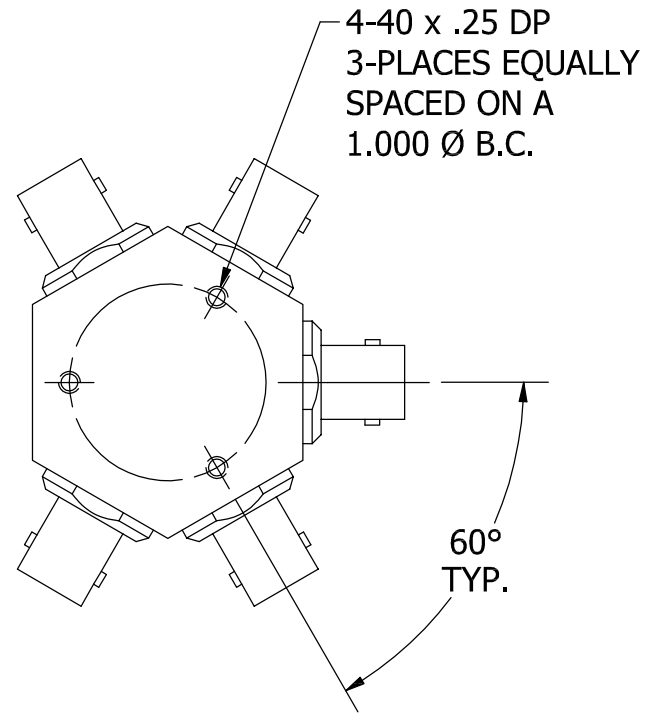
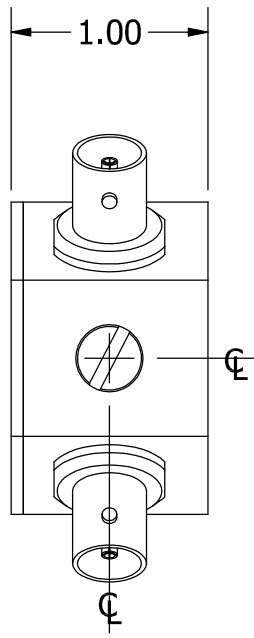



BNC FEMALE
5-PLACES



REV	ECN	DATE	BY	APPR
-	ISSUED	7-15-10	JZ	TRS
A	24444	10-1-15	JZ	TEZ

		<h1>JFW INDUSTRIES, INC.</h1> <p>www.jfwindustries.com PH: 317-887-1340</p>	
FINISH	CHEMFILM TCP	ALL SURFACES ARE TO BE FREE OF BURRS, PITS & SCRATCHES	
MODEL	XXPD-XXX	SCALE	FULL
DESCRIPTION	4 WAY POWER DIVIDER / COMBINER (5 TOTAL PORTS)		TOLERANCES .XX±.010 .XXX±.005 XX°±.5°
			DWG # 092-6646-04