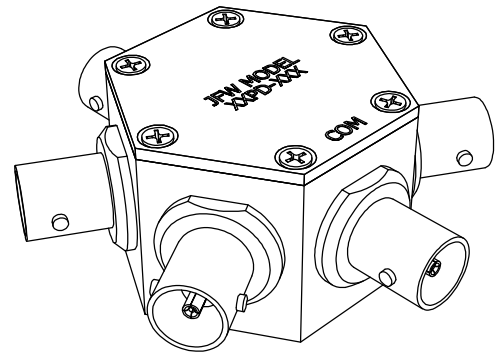
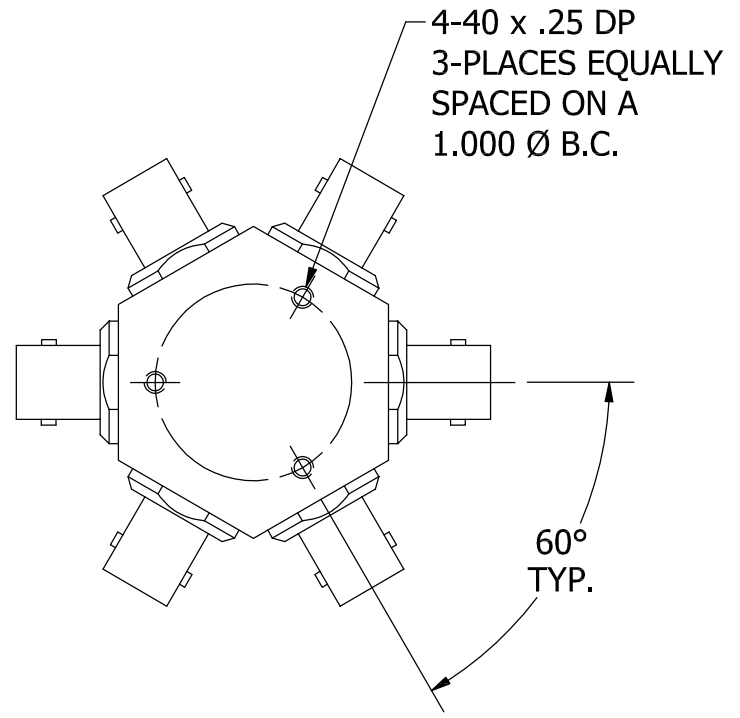
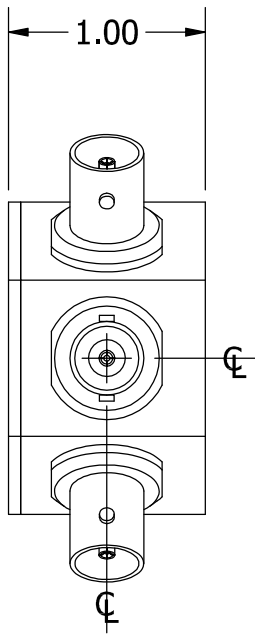



BNC FEMALE
6-PLACES



REV	ECN	DATE	BY	APPR
-	ISSUED	7-15-10	JZ	TRS
A	24444	10-1-15	JZ	TEZ

		<h1>JFW INDUSTRIES, INC.</h1>	
		www.jfwindustries.com	
PH: 317-887-1340		PROPRIETARY INFORMATION	
MATERIAL		ALUMINUM ALLOY	
FINISH		CHEMFILM TCP	
MODEL		XXPD-XXX	
DESCRIPTION		5 WAY POWER DIVIDER / COMBINER (6 TOTAL PORTS)	
SCALE		FULL	
TOLERANCES		.XX±.010 .XXX±.005 XX°±.5°	
DWG #		092-6646-05	