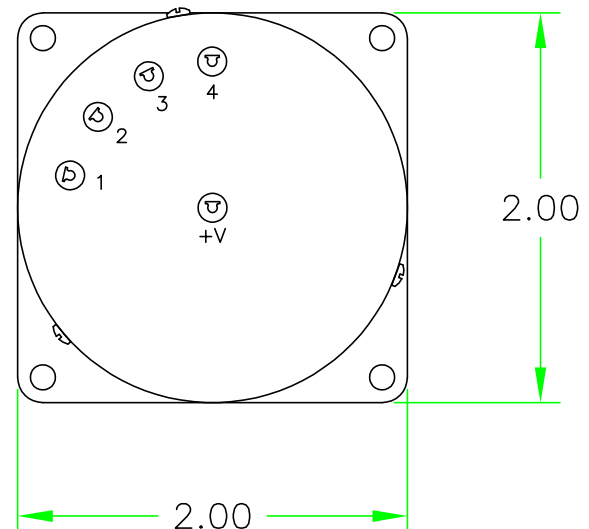
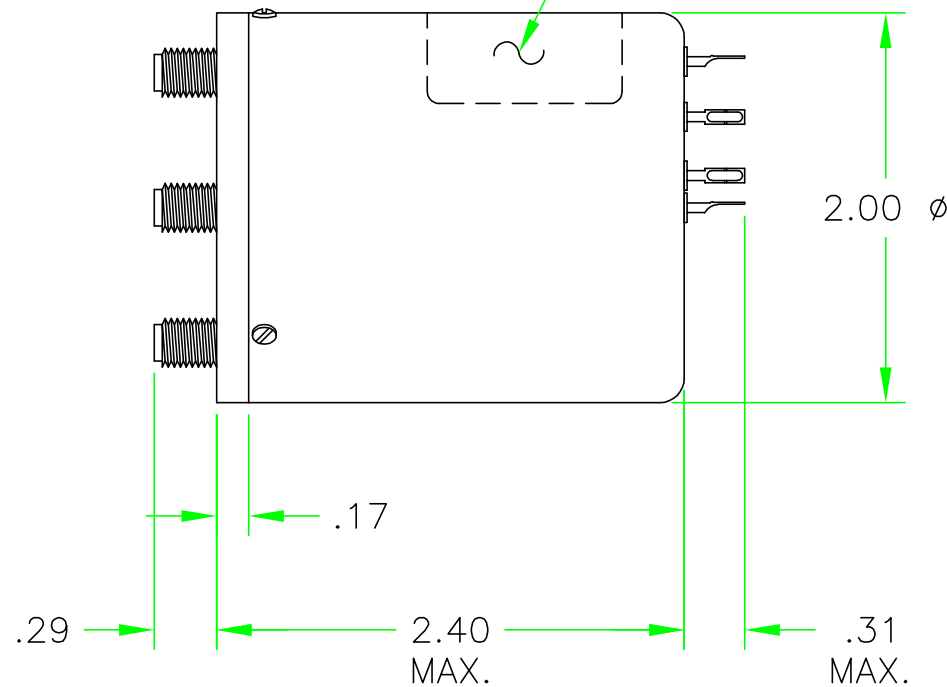
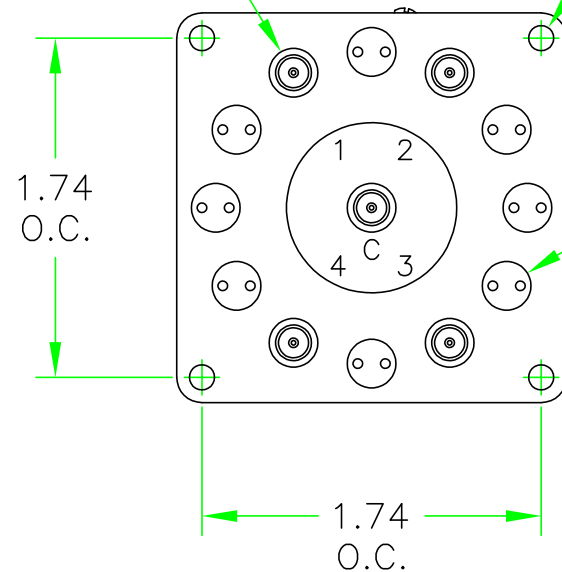


SMA FEMALE
5-PLACES

.13 ϕ THRU
4-PLACES

MARKING AREA

2 WATT
TERMINATION
4-PLACES



SUPERSEDING
TOLERANCES
.XXX \pm .01
.XX \pm .03

REV	ECN	DATE	BY	APPR
-	ISSUED	1-17-11	TEZ	BAC
A	24500	6-17-14	BZ	TEZ



JFW INDUSTRIES, INC.
www.jfwindustries.com PH: 317-887-1340

MATERIAL	PROPRIETARY INFORMATION
FINISH	ALL SURFACES ARE TO BE FREE OF BURRS, PITS, & SCRATCHES
MODEL	50S-XXXX SCALE FULL TOLERANCES .XX \pm .010 .XXX \pm .005 XX \pm .5'
DESCRIPTION	1P4T SWITCH DWG # 092-6871