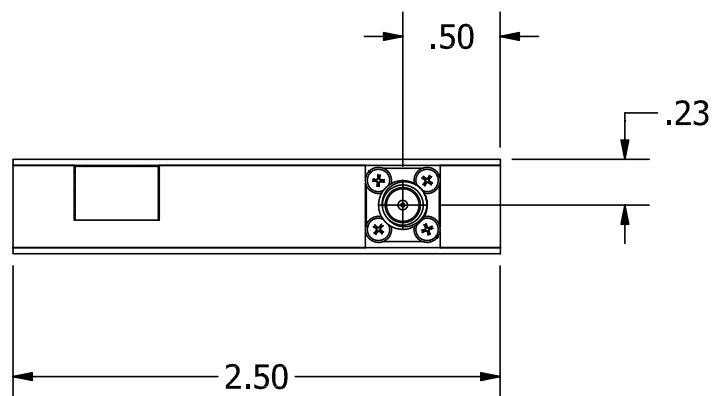


DETAIL A
3M #D2510-6002-AR
OR EQUIVALENT

PIN	FUNCTION
1	1dB TTL CONT.
2	2dB TTL CONT.
3	4dB TTL CONT.
4	8dB TTL CONT.
5	16dB TTL CONT.
6	32dB TTL CONT.
7	32dB TTL CONT.
8	NO CONNECTION
9	+5Vdc
10	GROUND



REV	ECN	DATE	BY	APPR
-	ISSUED	2-11-13	JZ	CLK
A	24444	10-12-15	JZ	TEZ
B	29124	6-18-19	ICC	JZ



JFW INDUSTRIES, INC.

www.jfwindustries.com

PH: 317-887-1340

MATERIAL	ALUMINUM ALLOY	PROPRIETARY INFORMATION
FINISH	ELECTROLESS NICKEL	ALL SURFACES ARE TO BE FREE OF BURRS, PITS & SCRATCHES
MODEL	50P-XXXX	SCALE FULL TOLERANCES .XX±.010 .XXX±.005 XX°±.5°
DESCRIPTION	PROGRAMMABLE ATTENUATOR	DWG # 092-7425-03