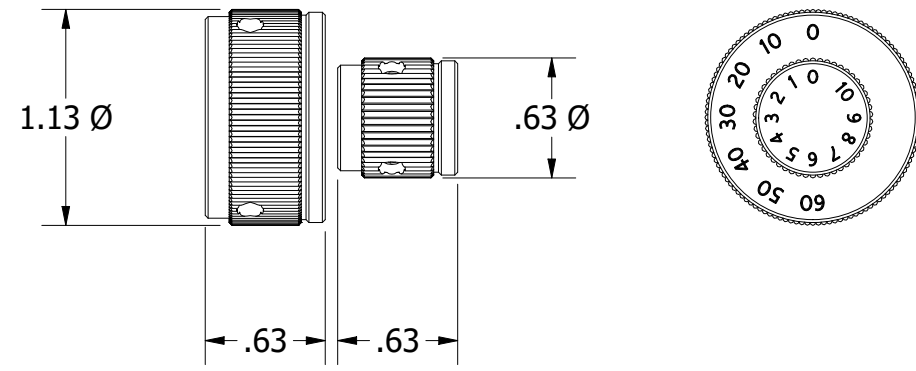
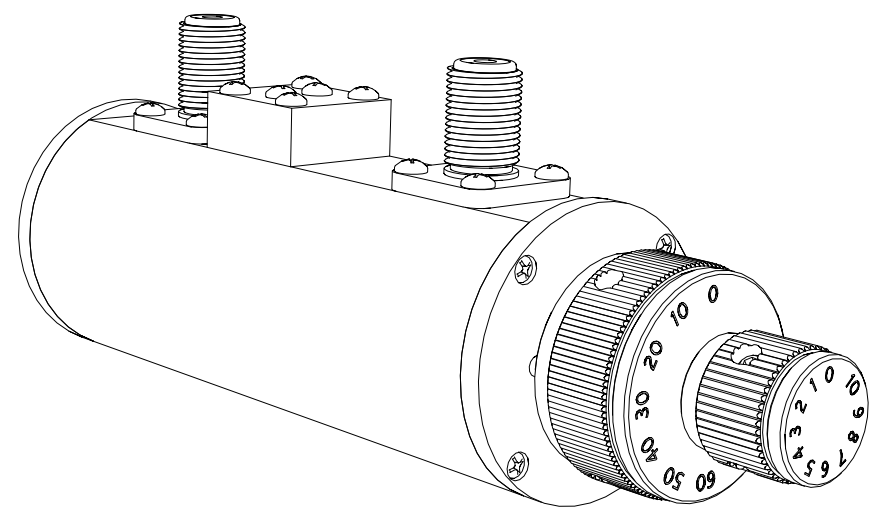
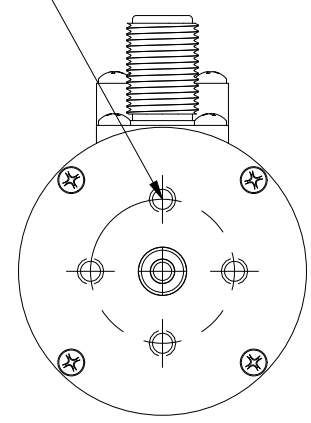


6-32 x .20 DP  
4-PLACES ON A  
.750 Ø B.C.



**KNOB DETAIL**

REV	ECN	DATE	BY	APPR
-	ISSUED	4-19-13	JZ	TEZ
A	24444	9-23-19	GM	TEZ



**JFW INDUSTRIES, INC.**

www.jfwindustries.com

PH: 317-887-1340

MATERIAL	ALUMINUM ALLOY	PROPRIETARY INFORMATION
FINISH	CHEMFILM TCP	ALL SURFACES ARE TO BE FREE OF BURRS, PITS & SCRATCHES
MODEL	75DR-XXX	TOLERANCES
DESCRIPTION	0-70x1dB ROTARY ATTENUATOR	.XX±.010 .XXX±.005 XX°±.5°
		DWG #
		092-7445-01

SCALE FULL