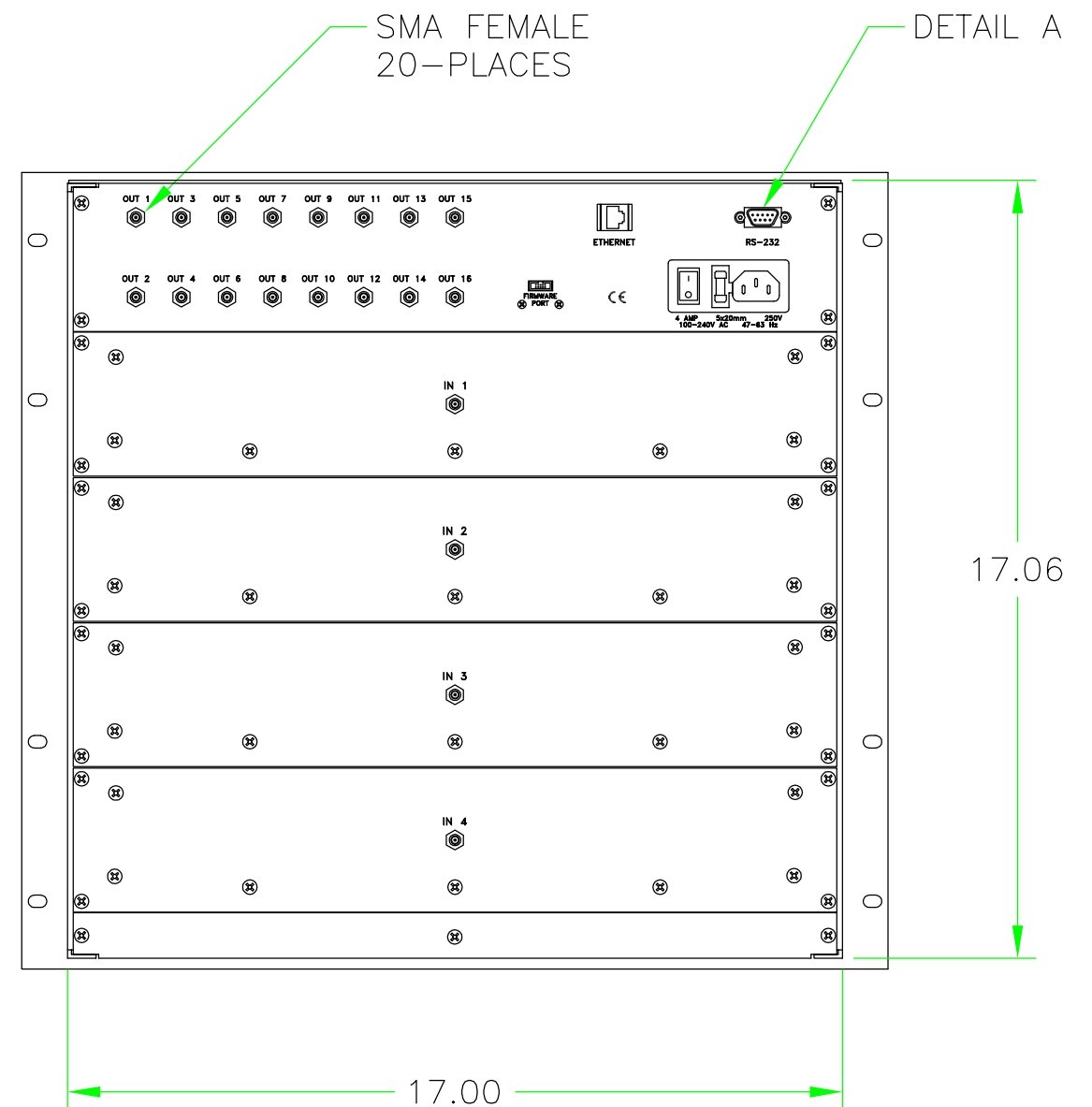


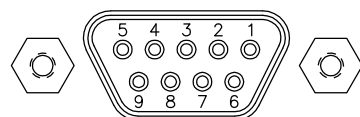
FRONT VIEW



REAR VIEW

CHASSIS DEPTH = 21.47

PIN	FUNCTION
1	CHASSIS GROUND
2	RECEIVED DATA
3	TRANSMITTED DATA
4	NO CONNECTION
5	SIGNAL GROUND
6	NO CONNECTION
7	RTS
8	CTS
9	NO CONNECTION



DETAIL A
DE-9S

REV	ECN	DATE	BY	APPR	JFW INDUSTRIES, INC.	
-	ISSUED	11-15-13	TEZ	CLK	www.jfwindustries.com PH: 317-887-1340	
A	23819	3-3-14	JZ	BZ	MATERIAL ALUMINUM ALLOY PROPRIETARY INFORMATION	
B	24240	10-28-14	JZ	CLK	FINISH CHEMFILM TCP / FRONT: BLACK ALL SURFACES ARE TO BE FREE OF BURRS, PITS, & SCRATCHES	
C	24846	1-15-15	TEZ	TEZ	MODEL 50PA-XXX SCALE 1/4 TOLERANCES .XX±.010 .XXX±.005 XX'±.5'	
DESCRIPTION					4x16 HANDOVER SYSTEM DWG # 092-7870	