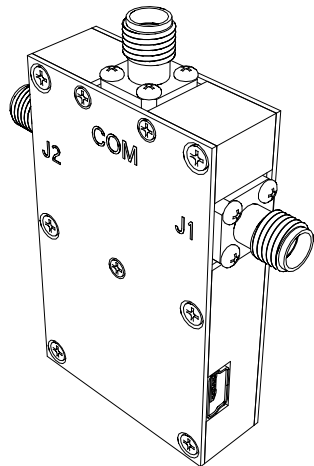
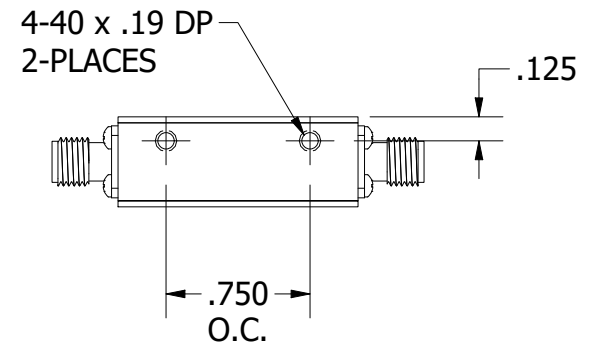


DETAIL A
USB MINI-B

PIN	FUNCTION
1	+5 Vdc
2	D-
3	D+
4	NO CONNECTION
5	GROUND



REV	ECN	DATE	BY	APPR
-	ISSUED	10-7-14	DCK	CLK
A	24444	10-23-19	GM	TEZ



JFW INDUSTRIES, INC.

www.jfwindustries.com

PH: 317-887-1340

MATERIAL	ALUMINUM ALLOY	PROPRIETARY INFORMATION
FINISH	ELECTROLESS NICKEL	ALL SURFACES ARE TO BE FREE OF BURRS, PITS & SCRATCHES
MODEL	50S-XXXX	TOLERANCES .XX±.010 .XXX±.005 XX°±.5°
DESCRIPTION	1P2T SWITCH	DWG # 092-8115