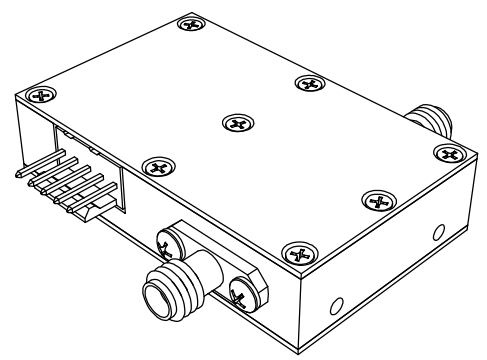


DETAIL A  
MOLEX #22-11-2052

| PIN | FUNCTION |
|-----|----------|
| 1   | GROUND   |
| 2   | +5 Vdc   |
| 3   | GROUND   |
| 4   | GROUND   |
| 5   | TTL C1   |



| REV | ECN    | DATE    | BY  | APPR |
|-----|--------|---------|-----|------|
| -   | ISSUED | 1-7-15  | DTS | TRS  |
| A   | 24444  | 12-1-15 | JZ  | TEZ  |
|     |        |         |     |      |
|     |        |         |     |      |
|     |        |         |     |      |
|     |        |         |     |      |
|     |        |         |     |      |
|     |        |         |     |      |
|     |        |         |     |      |
|     |        |         |     |      |



**JFW INDUSTRIES, INC.**  
[www.jfwindustries.com](http://www.jfwindustries.com) PH: 317-887-1340

|             |                                 |  |
|-------------|---------------------------------|--|
| MATERIAL    | ALUMINUM ALLOY                  | PROPRIETARY INFORMATION                                |
| FINISH      | CHEMFILM TCP                    | ALL SURFACES ARE TO BE FREE OF BURRS, PITS & SCRATCHES |
| MODEL       | 50S-XXXX                        | TOLERANCES<br>.XX±.010 .XXX±.005 XX°±.5°               |
| DESCRIPTION | SELF-TERMINATING 1P1T RF SWITCH | DWG #<br><b>092-8206</b>                               |
|             |                                 |  |
|             |                                 |  |
|             |                                 |  |
|             |                                 |  |
|             |                                 |  |