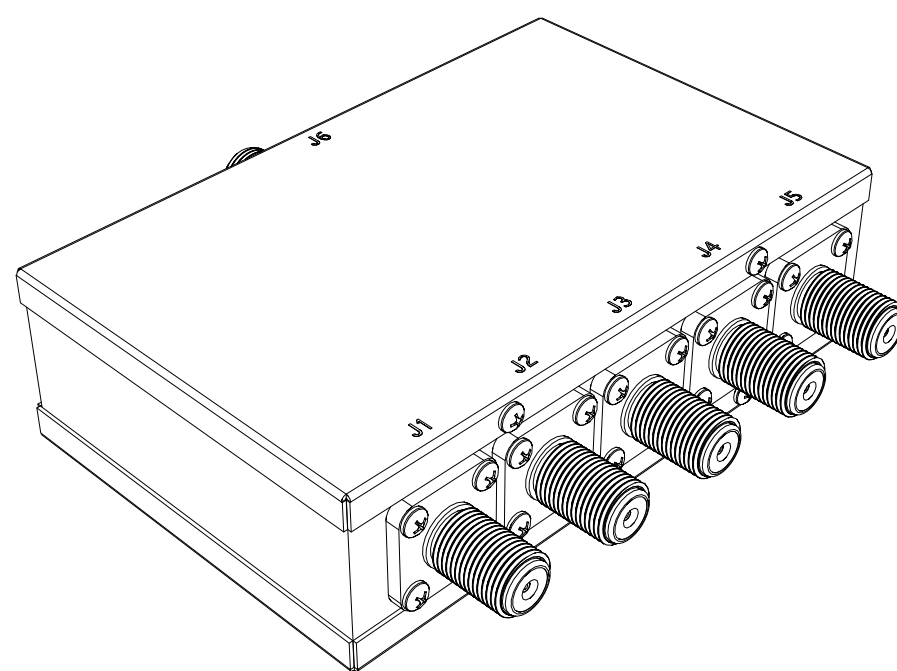


DETAIL A
DE-9P



J6 TO	C1	C2	C3	C4	C5
OFF	0	0	0	0	0
J1	1	0	0	0	0
J2	0	1	0	0	0
J3	0	0	1	0	0
J4	0	0	0	1	0
J5	0	0	0	0	1

PIN	FUNCTION
1	TTL CONT. 1
2	TTL CONT. 2
3	TTL CONT. 3
4	TTL CONT. 4
5	TTL CONT. 5
6	NO CONNECTION
7	+5 Vdc
8	+24 Vdc
9	GND

REV	ECN	DATE	BY	APPR
-	ISSUED	6-5-15	DTS	JZ
A	24444	9-24-19	GM	TEZ



JFW INDUSTRIES, INC.
www.jfwindustries.com PH: 317-887-1340

MATERIAL	BRASS	PROPRIETARY INFORMATION
FINISH	NICKEL	ALL SURFACES ARE TO BE FREE OF BURRS, PITS & SCRATCHES
MODEL	75S-XXX	TOLERANCES
DESCRIPTION	1P5T COAXIAL SWITCH	.XX±.010 .XXX±.005 .XX*±.5"
		DWG #
		092-8331