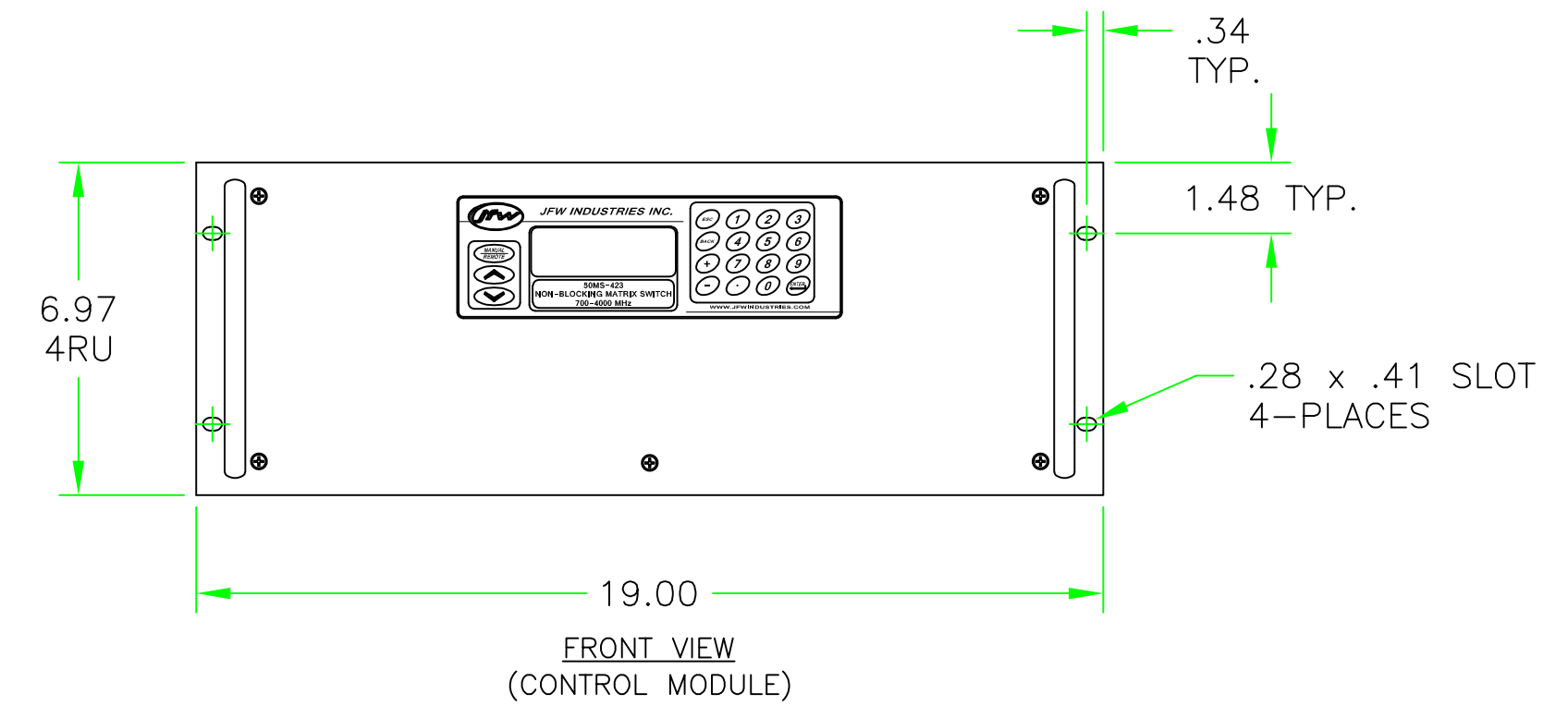
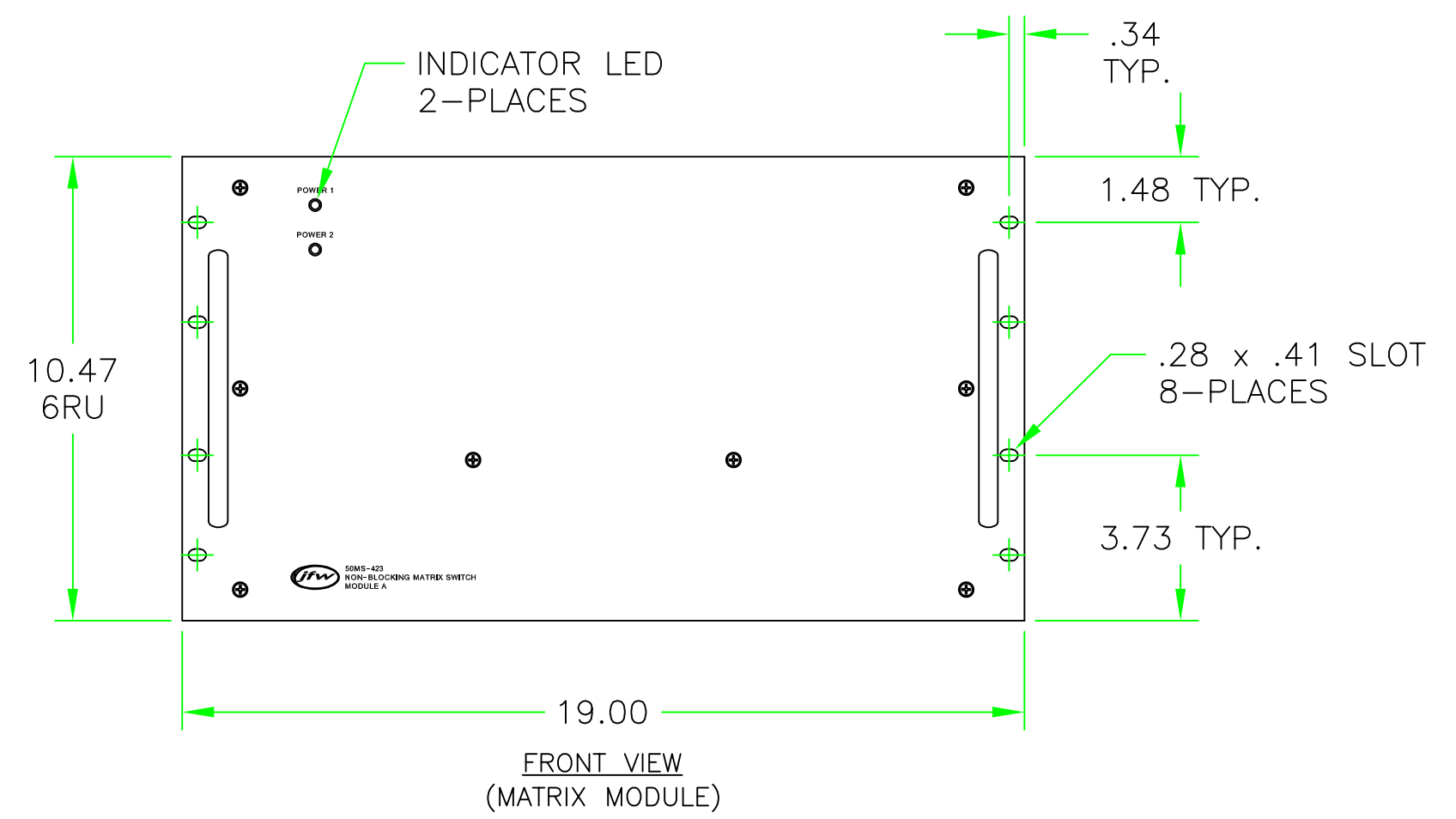
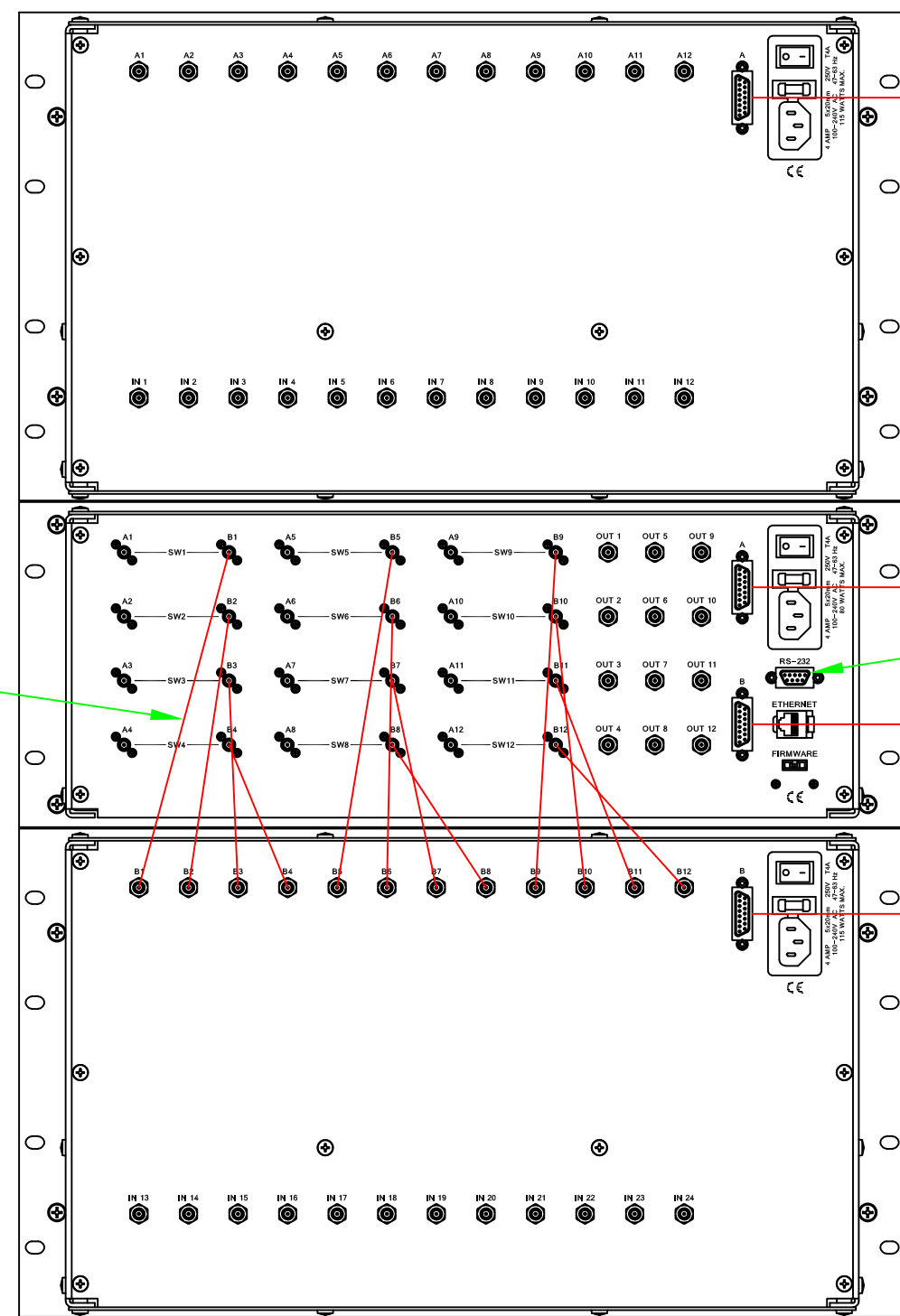


FRONT VIEW

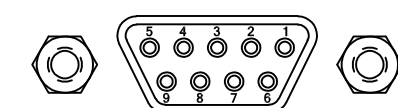


CHASSIS DEPTH = 21.47



REAR VIEW

DETAIL A



DETAIL A
DE-9S

PIN	FUNCTION
1	CHASSIS GROUND
2	RECEIVED DATA
3	TRANSMITTED DATA
4	NO CONNECTION
5	SIGNAL GROUND
6	NO CONNECTION
7	RTS
8	CTS
9	NO CONNECTION

REV	ECN	DATE	BY	APPR			
-	ISSUED	11-8-21	JZ	TRS			
						JFW INDUSTRIES, INC. www.jfwindustries.com PH: 317-887-1340	
MATERIAL						ALUMINUM ALLOY	PROPRIETARY INFORMATION
FINISH						CHEMFILM TCP	ALL SURFACES ARE TO BE FREE OF BURRS, PITS, & SCRATCHES
MODEL						50MS-423	SCALE 1/4 TOLERANCES .XX±.010 .XXX±.005 .XX'±.5'
DESCRIPTION						24x12 NON-BLOCKING MATRIX	DWG # 092-9803