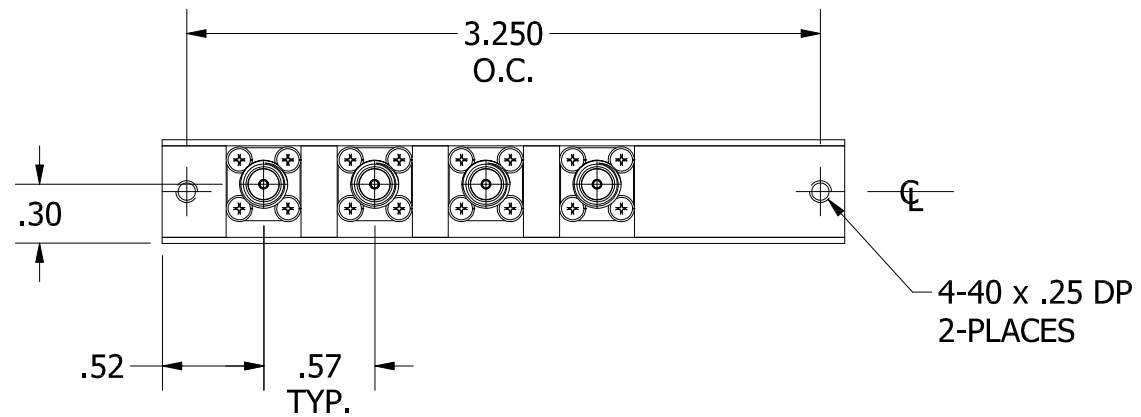
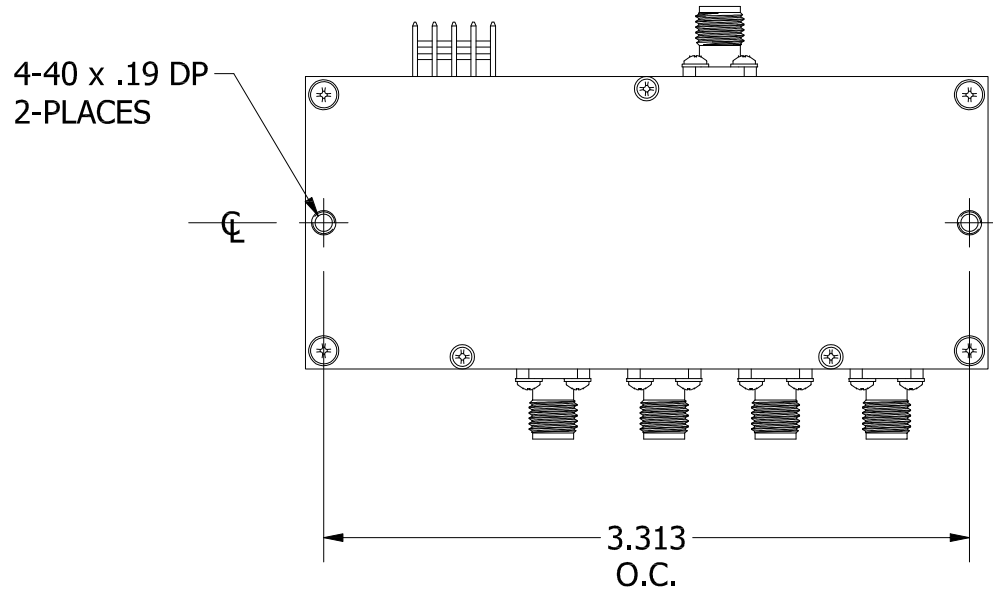
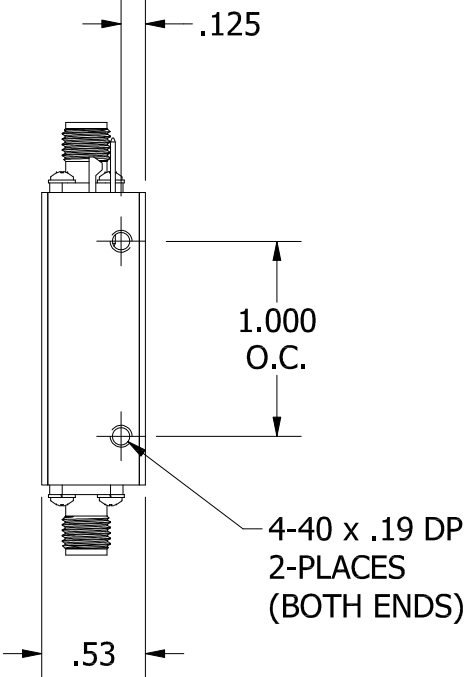
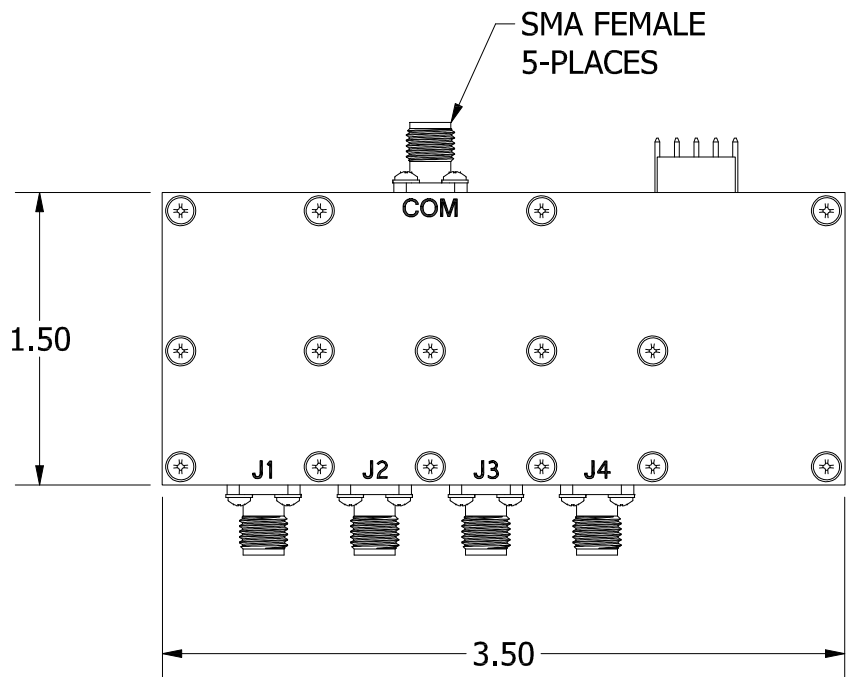
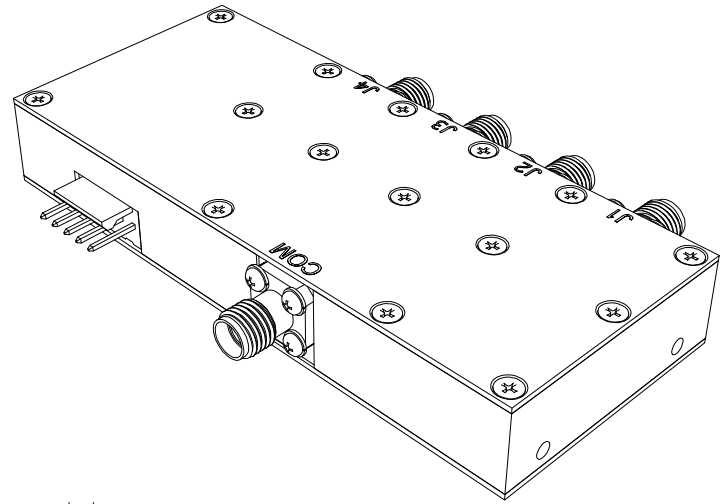
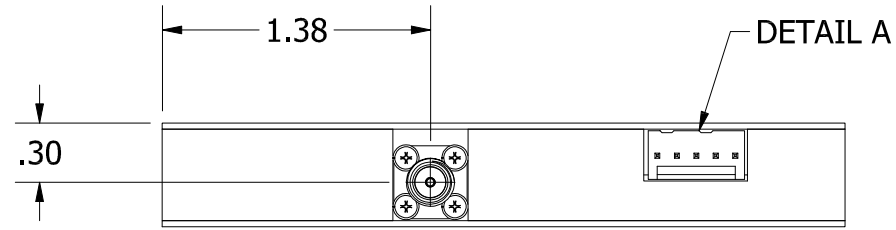
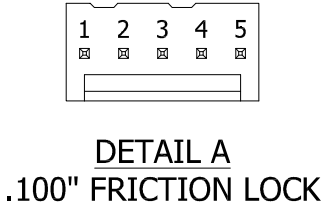


PIN	FUNCTION
1	CONTROL 1
2	CONTROL 2
3	CONTROL 3
4	+5 Vdc
5	GROUND



REV	ECN	DATE	BY	APPR
-	ISSUED	11-3-2022	JZ	BAC



JFW INDUSTRIES, INC.

www.jfwindustries.com PH: 317-887-1340

MATERIAL	ALUMINUM ALLOY	PROPRIETARY INFORMATION
FINISH	ELECTROLESS NICKEL	ALL SURFACES ARE TO BE FREE OF BURRS, PITS & SCRATCHES
MODEL	50S-XXXX	TOLERANCES .XX±.010 .XXX±.005 XX°±.5°
DESCRIPTION	1P4T SWITCH	DWG # 092-9986