

**JFW MODEL**

115-015

**IMPEDANCE**

50 Ohms nominal

**FREQUENCY RANGE**

DC-18 GHz

**VSWR**

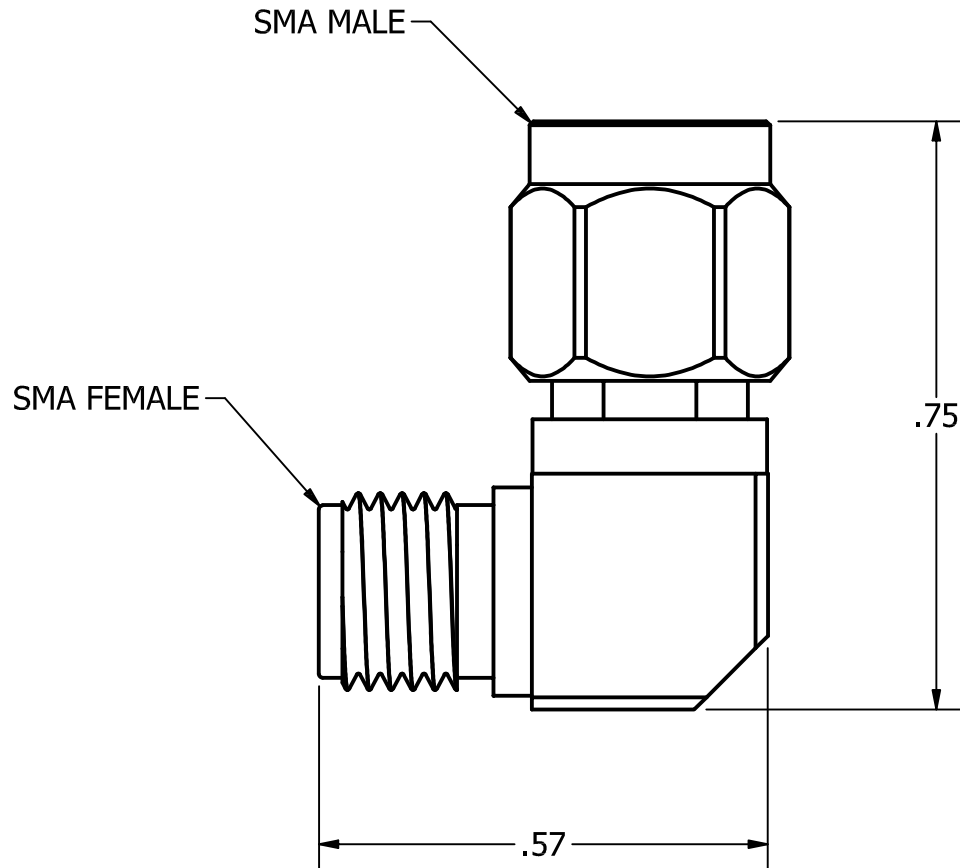
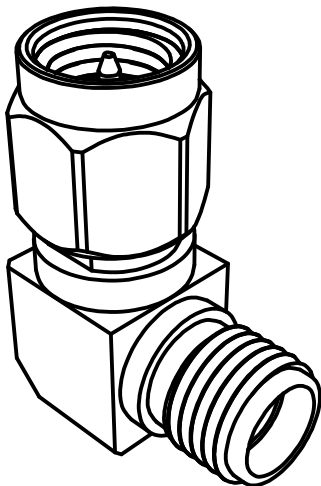
1.25:1 maximum


**Connector Body**

Passivated Stainless Steel

**Connector Pins**

Gold plated



REV	ECN	DATE	BY	APPR	 <b>JFW INDUSTRIES, INC.</b> <a href="http://www.jfwindustries.com">www.jfwindustries.com</a> PH: 317-887-1340		
-	ISSUED	8-9-2023	JZ	TRS	MATERIAL	STAINLESS STEEL	PROPRIETARY INFORMATION
					FINISH	PASSIVATED	ALL SURFACES ARE TO BE FREE OF BURRS, PITS & SCRATCHES
					MODEL	115-015	TOLERANCES .XX±.010 .XXX±.005 XX°±.5°
					DESCRIPTION	RIGHT ANGLE RF ADAPTER SMA MALE/FEMALE	DWG # <b>115-015</b>
						SCALE x4	