

JFW MODEL

115-017

IMPEDANCE

50 Ohms nominal

FREQUENCY RANGE

DC-18 GHz

VSWR

1.2:1 maximum

Average Power (+ 25C)

1000 Watts at 2 GHz

850 Watts at 4 GHz

600 Watts at 8 GHz

550 Watts at 10 GHz

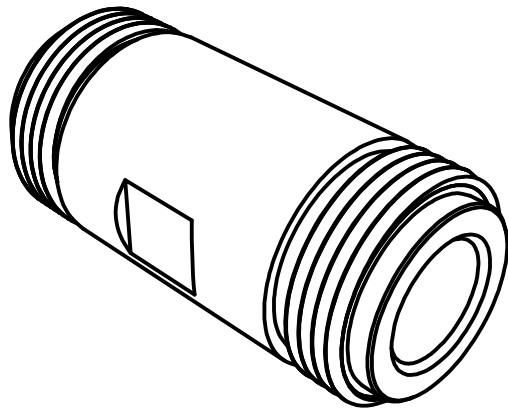
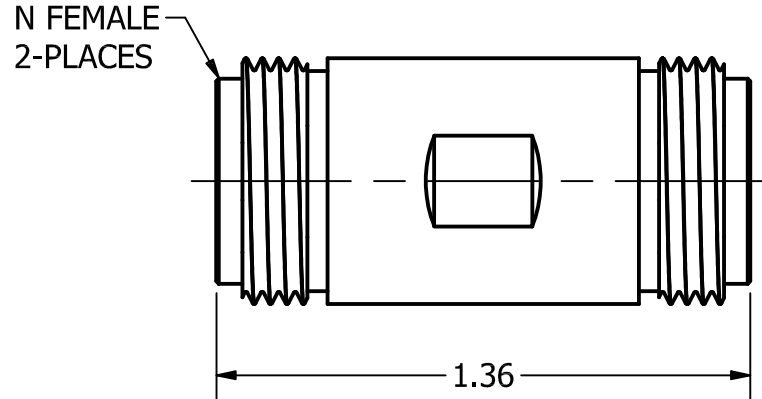
400 Watts at 18 GHz


Connector Body

Passivated Stainless Steel

Connector Pins

Gold plated



REV	ECN	DATE	BY	APPR	 JFW INDUSTRIES, INC. www.jfwindustries.com PH: 317-887-1340	
-	ISSUED	2-7-2024	GM	JZ		
A	33193	2-22-2024	DTS	TRS		
					MATERIAL	STAINLESS STEEL
					FINISH	PASSIVATED
					MODEL	115-017
					DESCRIPTION	RF ADAPTER N FEMALE/FEMALE
					SCALE	x2
					PROPRIETARY INFORMATION ALL SURFACES ARE TO BE FREE OF BURRS, PITS & SCRATCHES TOLERANCES .XX±.010 .XXX±.005 XX°±.5° DWG #	
					115-017	