

**JFW MODEL**

115-018

**IMPEDANCE**

50 Ohms nominal

**FREQUENCY RANGE**

DC-26.5 GHz

**VSWR**

1.25:1 maximum

1.08:1 typical @ 8 GHz

1.13:1 typical @ 18 GHz

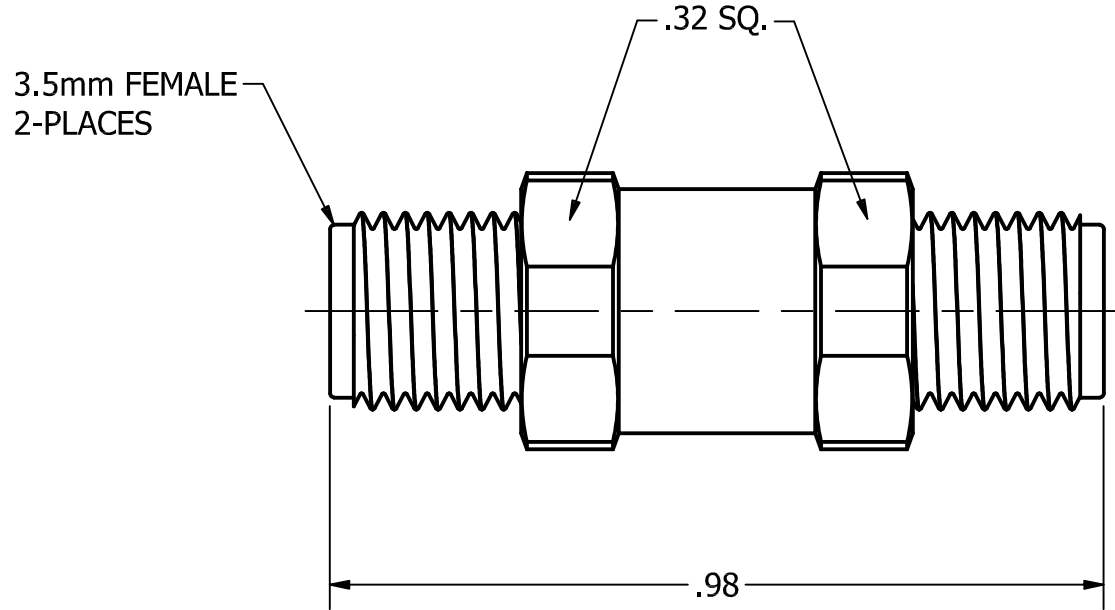
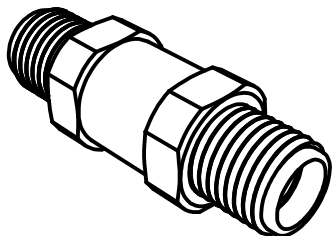
1.22:1 typical @ 26.5 GHz

**Connector Body**

Passivated Stainless Steel

**Connector Pins**

Gold plated



REV	ECN	DATE	BY	APPR
-	ISSUED	2-7-2024	GM	JZ
A	33328	4-19-2024	DTS	TRS

		<b>JFW INDUSTRIES, INC.</b>	
		<a href="http://www.jfwindustries.com">www.jfwindustries.com</a>	PH: 317-887-1340
MATERIAL	STAINLESS STEEL		PROPRIETARY INFORMATION
FINISH	PASSIVATED		ALL SURFACES ARE TO BE FREE OF BURRS, PITS & SCRATCHES
MODEL	115-018	SCALE x4	TOLERANCES .XX±.010 .XXX±.005 XX°±.5°
DESCRIPTION	RF ADAPTER 3.5mm FEMALE/FEMALE		DWG # 115-018