

JFW MODEL

115-019

IMPEDANCE

50 Ohms nominal

FREQUENCY RANGE

DC-26.5 GHz

VSWR

1.25:1 maximum

1.08:1 typical @ 8 GHz

1.17:1 typical @ 18 GHz

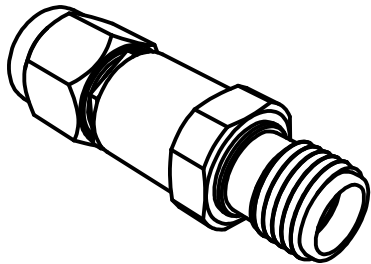
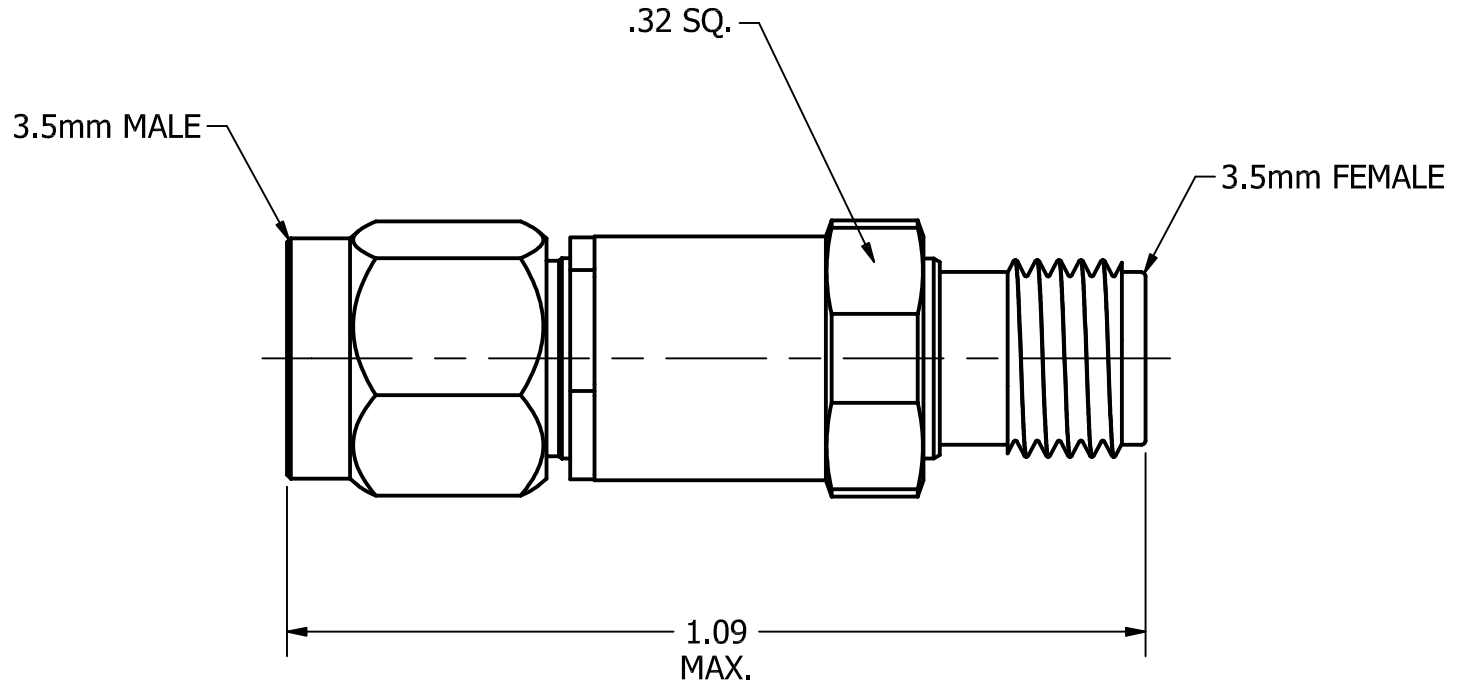
1.18:1 typical @ 26.5 GHz


Connector Body

Passivated Stainless Steel

Connector Pins

Gold plated



REV	ECN	DATE	BY	APPR	 JFW INDUSTRIES, INC. www.jfwindustries.com PH: 317-887-1340	
-	ISSUED	2-7-2024	GM	JZ		
A	33336	4-25-2024	DTS	TRS		
					MATERIAL	STAINLESS STEEL
					FINISH	PASSIVATED
					MODEL	115-019
					SCALE	x4
					DESCRIPTION	RF ADAPTER 3.5mm MALE/FEMALE
					PROPRIETARY INFORMATION ALL SURFACES ARE TO BE FREE OF BURRS, PITS & SCRATCHES TOLERANCES .XX±.010 .XXX±.005 XX°±.5° DWG #	
					115-019	