

**JFW MODEL**

115-022

**IMPEDANCE**

50 Ohms nominal

**FREQUENCY RANGE**

DC-40 GHz

**VSWR**

1.25:1 maximum

1.15:1 typical

**Connector Body**

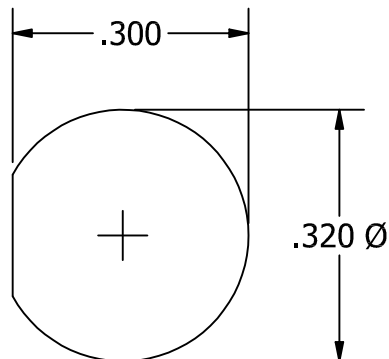
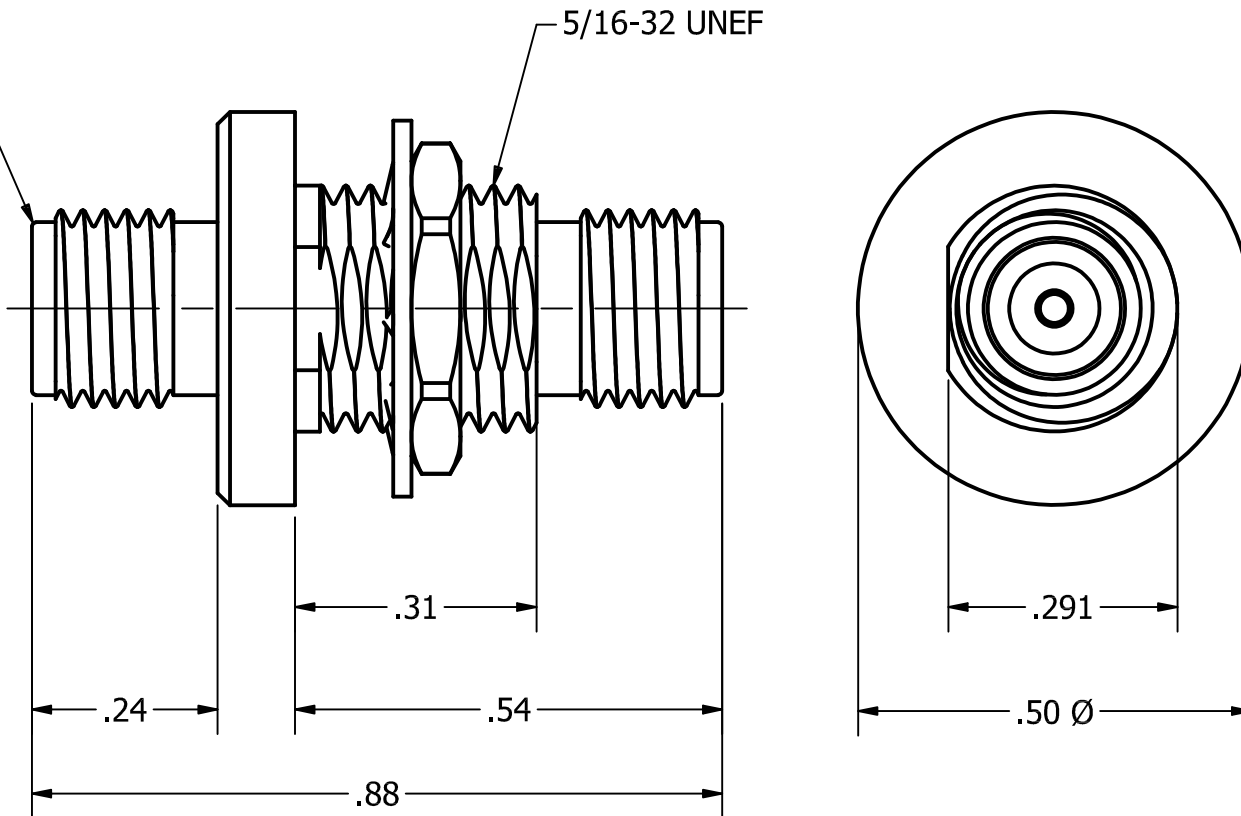
Passivated Stainless Steel

**Connector Pins**


Gold plated

2.92mm FEMALE  
2-PLACES

5/16-32 UNEF



RECOMMENDED MOUNTING

REV	ECN	DATE	BY	APPR	JFW INDUSTRIES, INC.	
-	ISSUED	5-6-2024	JZ	TRS		<a href="http://www.jfwindustries.com">www.jfwindustries.com</a> PH: 317-887-1340
					MATERIAL	STAINLESS STEEL PROPRIETARY INFORMATION
					FINISH	PASSIVATED ALL SURFACES ARE TO BE FREE OF BURRS, PITS & SCRATCHES
					MODEL	115-022 TOLERANCES .XX±.010 .XXX±.005 XX°±.5°
					DESCRIPTION	RF ADAPTER 2.92mm FEMALE/FEMALE DWG # 115-022