

JFW MODEL

115-025

IMPEDANCE

50 Ohms nominal

FREQUENCY RANGE

DC-18 GHz

VSWR

1.25:1 maximum

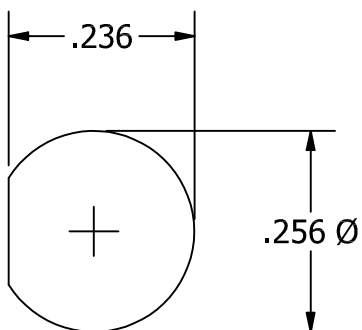
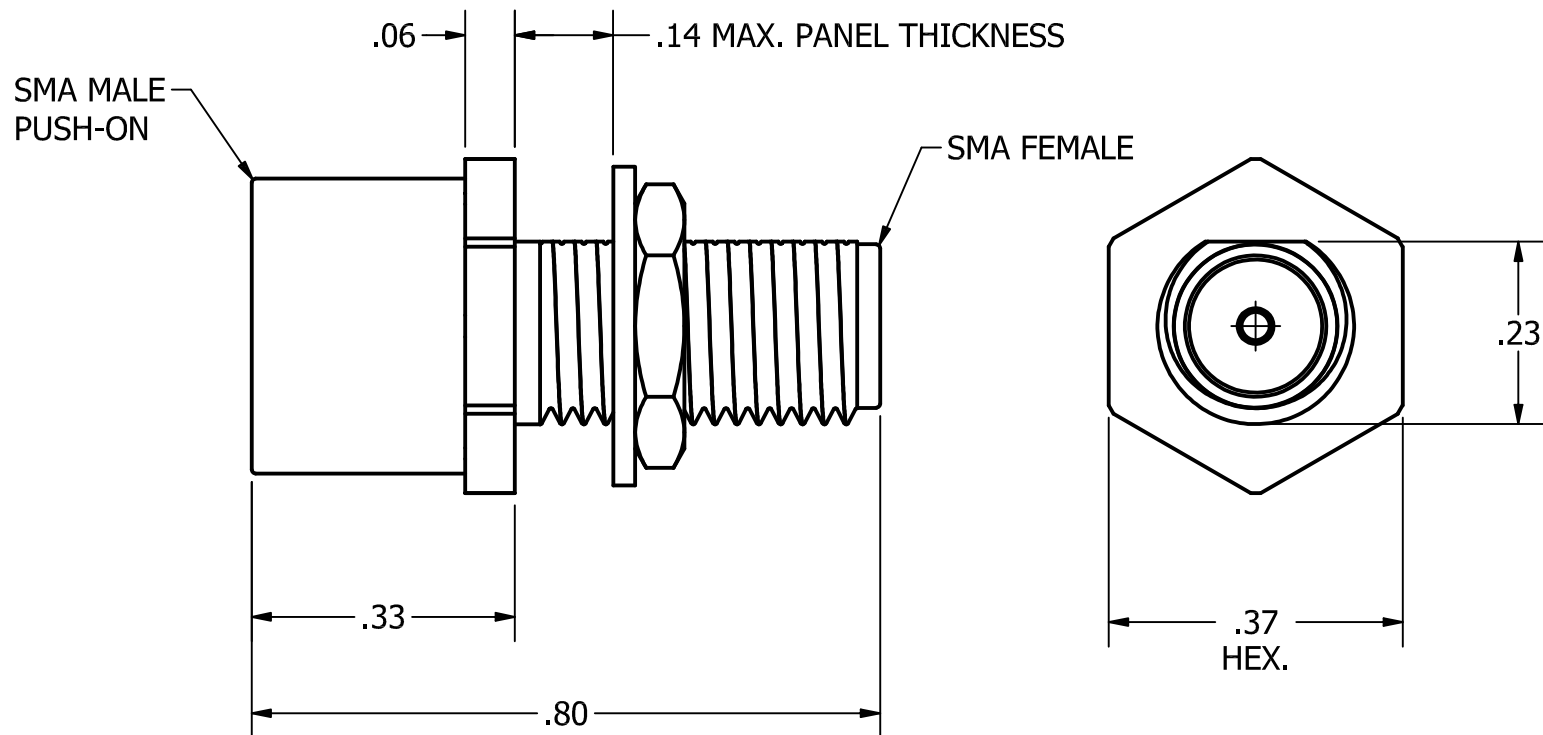
1.15:1 typical

Connector Body

Passivated Stainless Steel

Connector Pins

Gold plated \emptyset



RECOMMENDED MOUNTING

REV	ECN	DATE	BY	APPR
-	ISSUED	5-7-2024	JZ	TRS



JFW INDUSTRIES, INC.

www.jfwindustries.com PH: 317-887-1340

MATERIAL	STAINLESS STEEL	PROPRIETARY INFORMATION
FINISH	PASSIVATED	ALL SURFACES ARE TO BE FREE OF BURRS, PITS & SCRATCHES
MODEL	115-025	TOLERANCES .XX \pm .010 .XXX \pm .005 XX $^{\circ}$ \pm .5 $^{\circ}$
DESCRIPTION	RF ADAPTER SMA MALE PUSH-ON/SMA FEMALE	DWG # 115-025