

JFW MODEL

115-026

IMPEDANCE

50 Ohms nominal

FREQUENCY RANGE

DC-18 GHz

VSWR

1.20:1 maximum

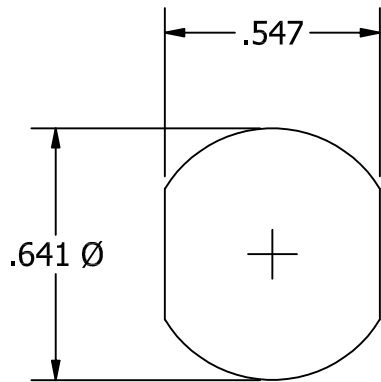
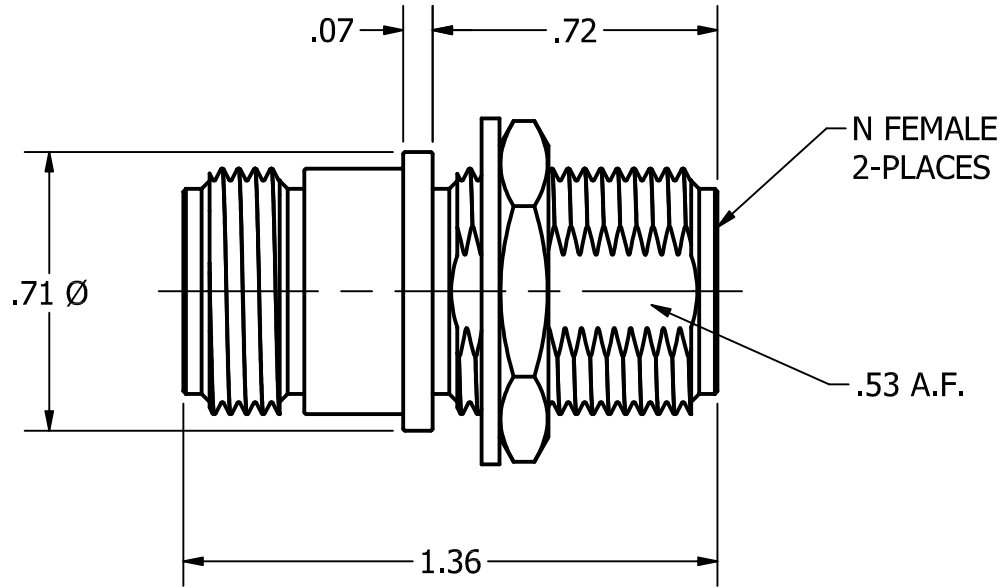
1.06:1 typical

Connector Body


Passivated Stainless Steel

Connector Pins

Gold plated



RECOMMENDED MOUNTING

REV	ECN	DATE	BY	APPR	 JFW INDUSTRIES, INC. www.jfwindustries.com PH: 317-887-1340		
-	ISSUED	4-25-204	JZ	TRS	MATERIAL	STAINLESS STEEL	PROPRIETARY INFORMATION
					FINISH	PASSIVATED	ALL SURFACES ARE TO BE FREE OF BURRS, PITS & SCRATCHES
					MODEL	115-026	TOLERANCES .XX±.010 .XXX±.005 XX°±.5°
					DESCRIPTION	RF ADAPTER BULKHEAD N FEMALE / N FEMALE	DWG # 115-026
						SCALE x2	