

JFW MODEL

115-032

IMPEDANCE

50 Ohms nominal

FREQUENCY RANGE

DC-40 GHz

VSWR

1.25:1 maximum

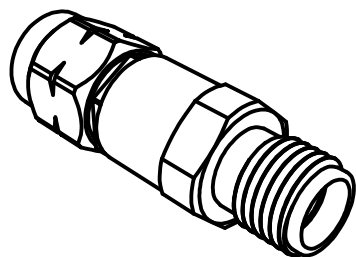
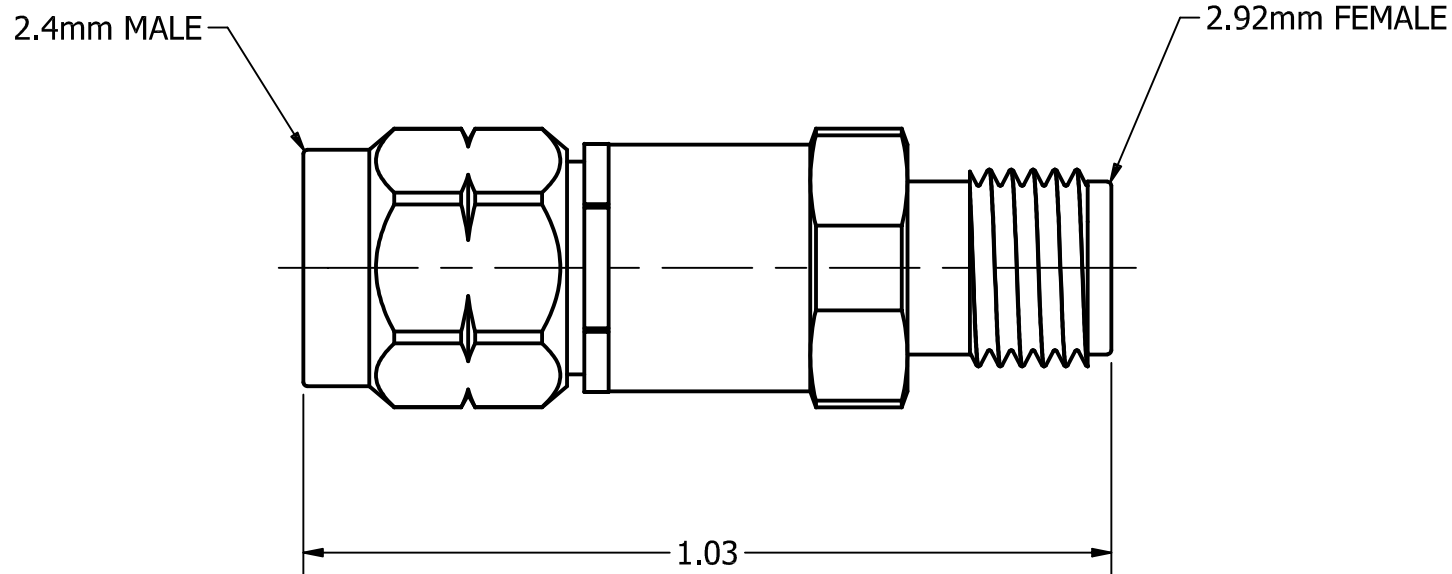
1.15:1 typical


Connector Body

Passivated Stainless Steel

Connector Pins

Gold platedØ



REV	ECN	DATE	BY	APPR	 JFW INDUSTRIES, INC. www.jfwindustries.com PH: 317-887-1340		
-	ISSUED	5-6-2024	JZ	TRS	MATERIAL	STAINLESS STEEL	PROPRIETARY INFORMATION
					FINISH	PASSIVATED	ALL SURFACES ARE TO BE FREE OF BURRS, PITS & SCRATCHES
					MODEL	115-032	TOLERANCES .XX±.010 .XXX±.005 XX°±.5°
					DESCRIPTION	RF ADAPTER 2.4mm MALE/2.92mm FEMALE	DWG # 115-032
						SCALE x4	