

JFW MODEL

115-525

IMPEDANCE

50 Ohms nominal

FREQUENCY RANGE

DC-6 GHz

VSWR (typical)

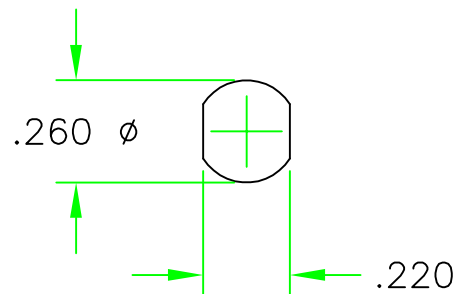
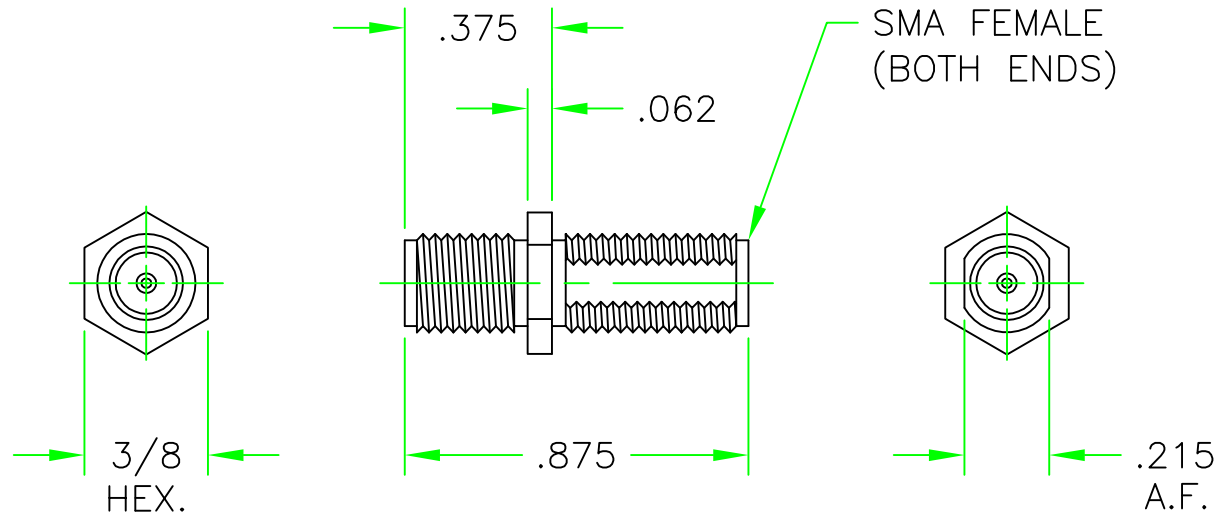
1 GHz	1.022:1
2 GHz	1.033:1
3 GHz	1.036:1
4 GHz	1.036:1
5 GHz	1.042:1
6 GHz	1.051:1

Connector Body

Passivated SS


Connector Pins

Gold Plated



RECOMMENDED MOUNTING

NOTE: THIS PART IS SUPPLIED WITH HEXNUT & LOCKWASHER

REV	ECN	DATE	BY	APPR	 JFW INDUSTRIES, INC. www.jfwindustries.com PH: 317-887-1340	
-	ISSUED	3-14-18	TEZ	TRS	MATERIAL STAINLESS STEEL FINISH PASSIVATED MODEL 115-525 SCALE 2X DESCRIPTION RF ADAPTER SMA FEMALE/FEMALE	
A	28718	5-7-18	DTS	TRS		
					DWG # 115-525	