

JFW MODEL

115-875

IMPEDANCE

50 Ohms nominal

FREQUENCY RANGE

DC-6 GHz

VSWR (typical)

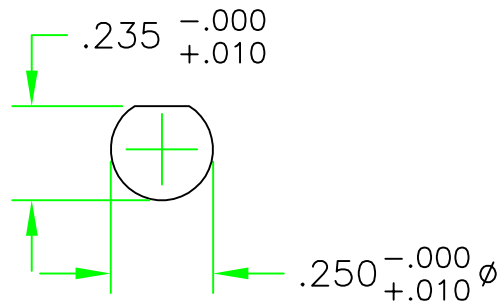
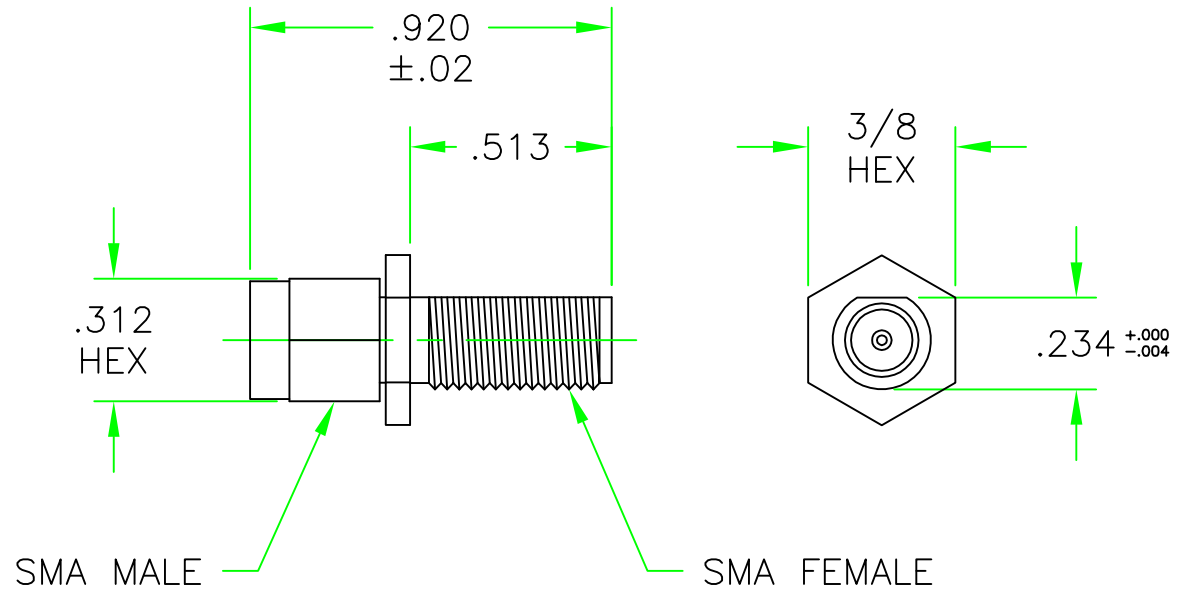
1 GHz	1.013:1
2 GHz	1.027:1
3 GHz	1.038:1
4 GHz	1.053:1
5 GHz	1.066:1
6 GHz	1.076:1

Connector Body

Nickel plated Brass


Connector Pins

Gold plated BeCu



RECOMMENDED MOUNTING

NOTE: THIS PART IS SUPPLIED WITH HEXNUT & LOCKWASHER

REV	ECN	DATE	BY	APPR		
-	ISSUED	3-16-18	DTS	TRS	 JFW INDUSTRIES, INC. www.jfwindustries.com PH: 317-887-1340	
A	28718	5-7-18	DTS	TRS		
MATERIAL					PROPRIETARY INFORMATION	
FINISH					ALL SURFACES ARE TO BE FREE OF BURRS, PITS, & SCRATCHES	
MODEL					115-875	SCALE 2X
DESCRIPTION					RF ADAPTER SMA FEMALE/FEMALE	
					TOLERANCES .XX±.010 .XXX±.005 XX'±.5'	
					DWG # 115-875	